



QUALITY MARINE EQUIPMENT
SINCE 1981

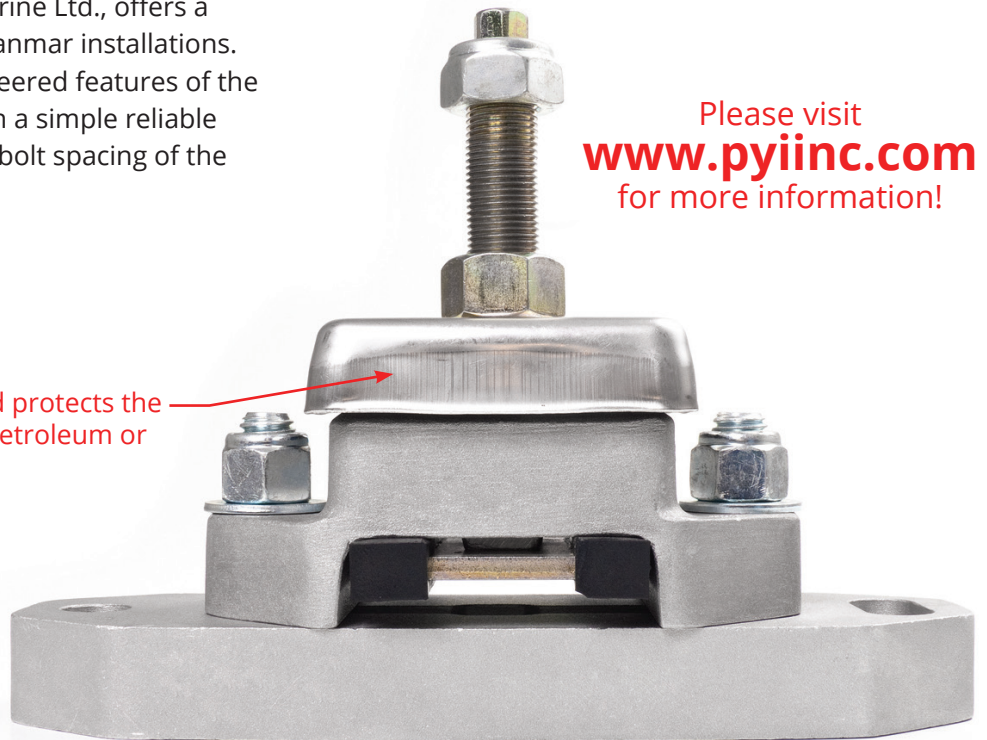
R & D MARINE

2022 YANMAR ENGINE MOUNT PRICE LIST

PYI Inc., the U.S. Distributor for R&D Marine Ltd., offers a complete range of engine mounts for Yanmar installations. PYI Inc. has combined the proven engineered features of the R&D Marine flexible engine mounts with a simple reliable lifting block to duplicate the height and bolt spacing of the Yanmar mounts.

Please visit
www.pyiinc.com
for more information!

Stainless steel oil shield protects the rubber element from petroleum or chemical damage



R&D engine mounts are an upgrade to conventional engine mounts!

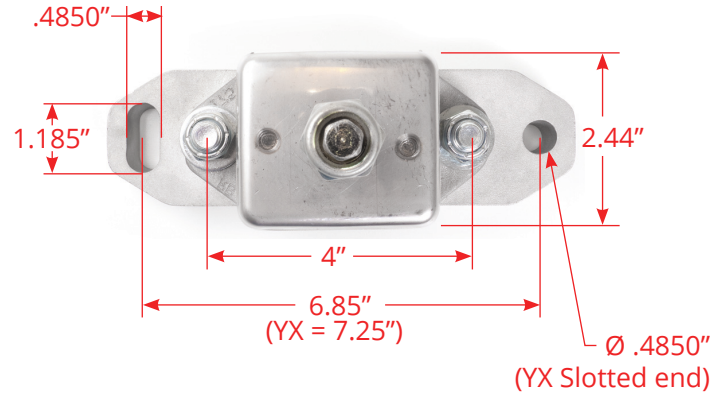
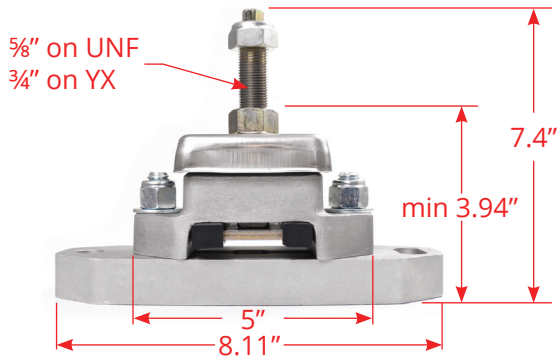
- Preloaded and soft to eliminate the vertical dampening "dead zone" found in conventional mounts.
- Two stage athwartships dampening offers vibration control not available with round compression mounts.
- Metal to metal connection provides security to withstand full loads in a roll over.



Cutaway side view.

Technical specs and pricing located on the back

TECHNICAL SPECIFICATIONS



PRICE LIST

- 1 Locate your Yanmar engine
- 2 Locate your Yanmar reference #
- 3 Find your PYI part #

YANMAR ENGINE	YANMAR REFERENCE	PYI PART #
1GM	Front 128170-08350 / Rear 128170-08340	Both 800-037Y
2GM & 3GM	Front 124772-08341 / Rear 12810-08340	Both 800-037Y
3YM	Both 124772-08341	Both 800-037Y
3HM	Both 124772-08341	Both 800-037Y
2QM15	Both 124772-08341	Both 800-037Y
2QM20	Both 124772-08341	Both 800-037Y
3QM30	Front 121370-08530 / Rear 124772-08341	Both 800-037Y
3JH's	Oil filter side 124772-08341 / Starter side 121370-08530	Both 800-037Y
4JH'S	Oil filter side 121370-08351 / Starter side 129470-08350	Oil filter side 800-010Y Starter side 800-011Y
4LH	Both 119173-08440	800-021YX

PYI PART #	CAPACITY PER MOUNT	STUD SIZE	F&A DEFLECTION	PRICE
800-037Y	50 - 175 lbs	5/8"	.09 - .021	\$210.00
800-010Y	80 - 230 lbs	5/8"	.09 - .021	\$210.00
800-011Y	120 - 410 lbs	5/8"	.09 - .021	\$210.00
800-021YX	120 - 410 lbs	3/4"	.09 - .021	\$210.00
800-YM2	Spacing block only (.90" height / 6.85")			\$70.00
800-YM2S	Spacing block only - Slotted (.90" height / 7.25")			\$75.00



- 4 Once you've found the correct part number locate the engine mount price

